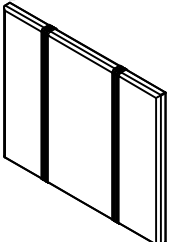


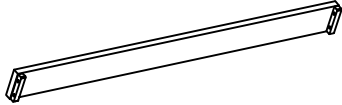
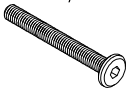


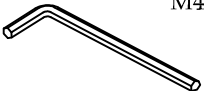


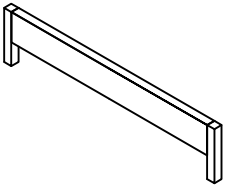
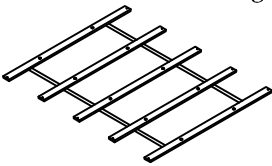
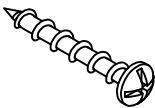


**Warning :**

- Be sure to check all packing material carefully for small parts, which may have come loose inside the carton during shipment.
- To prevent possible scratches and damage, this furniture **MUST BE ASSEMBLED BY TWO PEOPLE** on a soft surface such as a blanket or carpet.

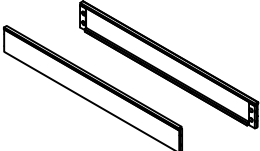
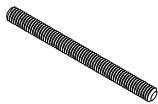



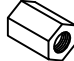
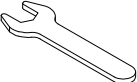
**Hardware and Parts packed with the Headboard**

|  |  |   |   |
|--|--|---|---|
| <p>King Uph Headboard - 91080</p>  <p>(H-A) 1 pc.</p>               | <p>Headboard Post (Right)</p>  <p>(H-B) 1 pc.</p>           | <p>Headboard Post (Left)</p>  <p>(H-C) 1 pc.</p>           | <p>Stretcher Headboard</p>  <p>(H-D) 1 pc.</p>       |
| <p>Allen Head Bolt<br/>Ø5/16"-18 x 1-3/4"</p>  <p>(H-E) 10 pcs.</p> | <p>Spring Washer<br/>Ø5/16" x Ø13</p>  <p>(H-F) 10 pcs.</p> | <p>Flat Washer<br/>Ø5/16" x Ø19</p>  <p>(H-G) 10 pcs.</p> | <p>Allen Key<br/>M4 x 2-1/2"</p>  <p>(H-H) 1 pc.</p> |

**Hardware and Parts packed with the Footboard**

|   |  |  |   |  |
|---|--|--|---|--|
| <p>King Panel Footboard<br/>91081</p>  <p>(F-A) 1 pc.</p> | <p>Wood Slat<br/>76" Long</p>  <p>(F-B) 1 Set</p> | <p>Wood Screw<br/>#4 x 30mm</p>  <p>(F-C) 10 pcs.</p> | <p>Support Leg<br/>1-1/8" x 1-1/8" x 6-5/16"</p>  <p>(F-D) 10 pcs.</p> | <p>Screw Driver<br/>not included</p>  |
|---|--|--|---|--|

**Hardware and Parts packed with the Bed Rails**

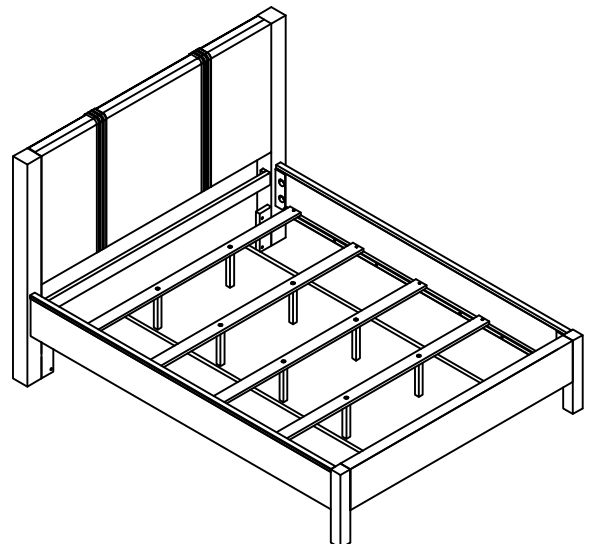
|  |   |   |   |   |  |   |
|--|---|---|---|---|--|---|
| <p>Siderail - 91072</p>  <p>(R-A) 2 pcs.</p> | <p>All-Thread Bolt<br/>Ø5/16"-18 x 3-1/2"</p>  <p>(R-B) 8 pcs.</p> | <p>Arc Washer<br/>37x17mm</p>  <p>(R-C) 8 pcs.</p> | <p>Spring Washer<br/>Ø5/16" x Ø13mm</p>  <p>(R-D) 8 pcs.</p> | <p>Flat Washer<br/>Ø5/16" x Ø16mm</p>  <p>(R-E) 8 pcs.</p> | <p>Hex Nut<br/>Ø5/16" x 18mm</p>  <p>(R-F) 8 pcs.</p> | <p>Open Wrench<br/>12 mm</p>  <p>(R-G) 1 pc.</p> |
|--|---|---|---|---|--|---|

**6/0-6/6 King Bed**

91080 -- 6/0 - 6/6 Uph Headboard

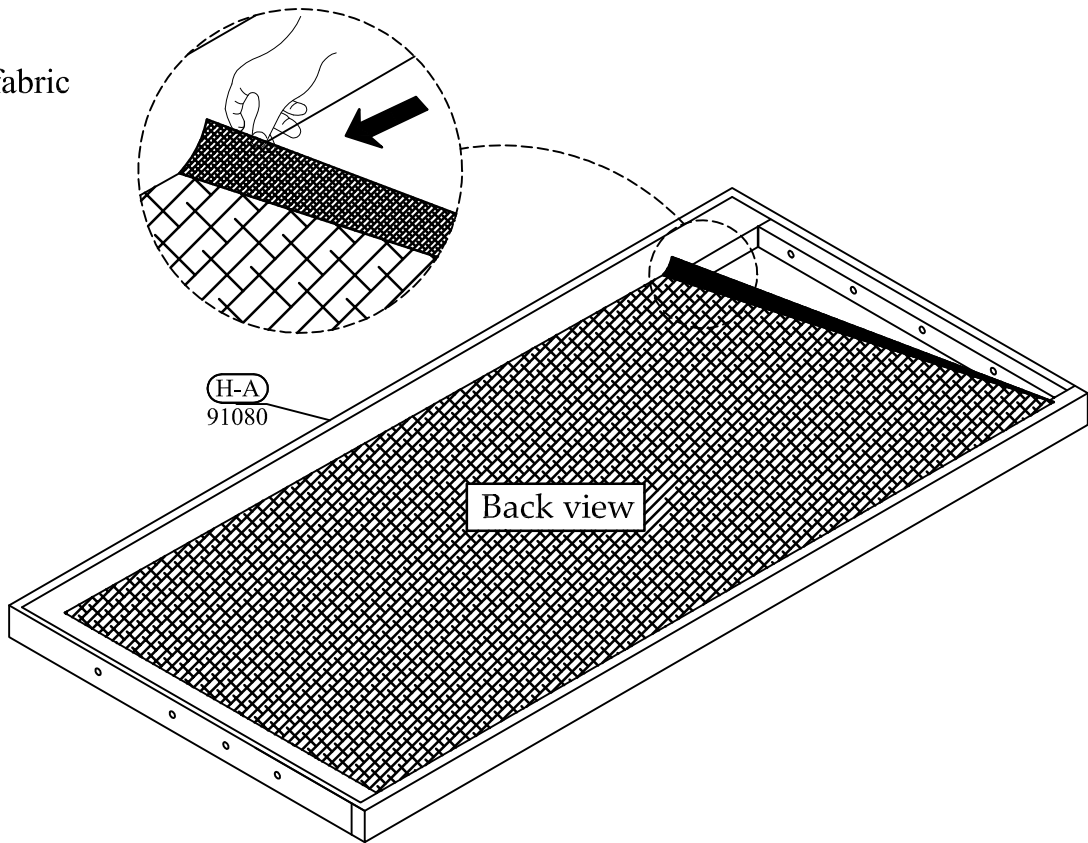
91081 -- 6/6 Footboard

91072 -- 5/0 - 6/6 Siderails

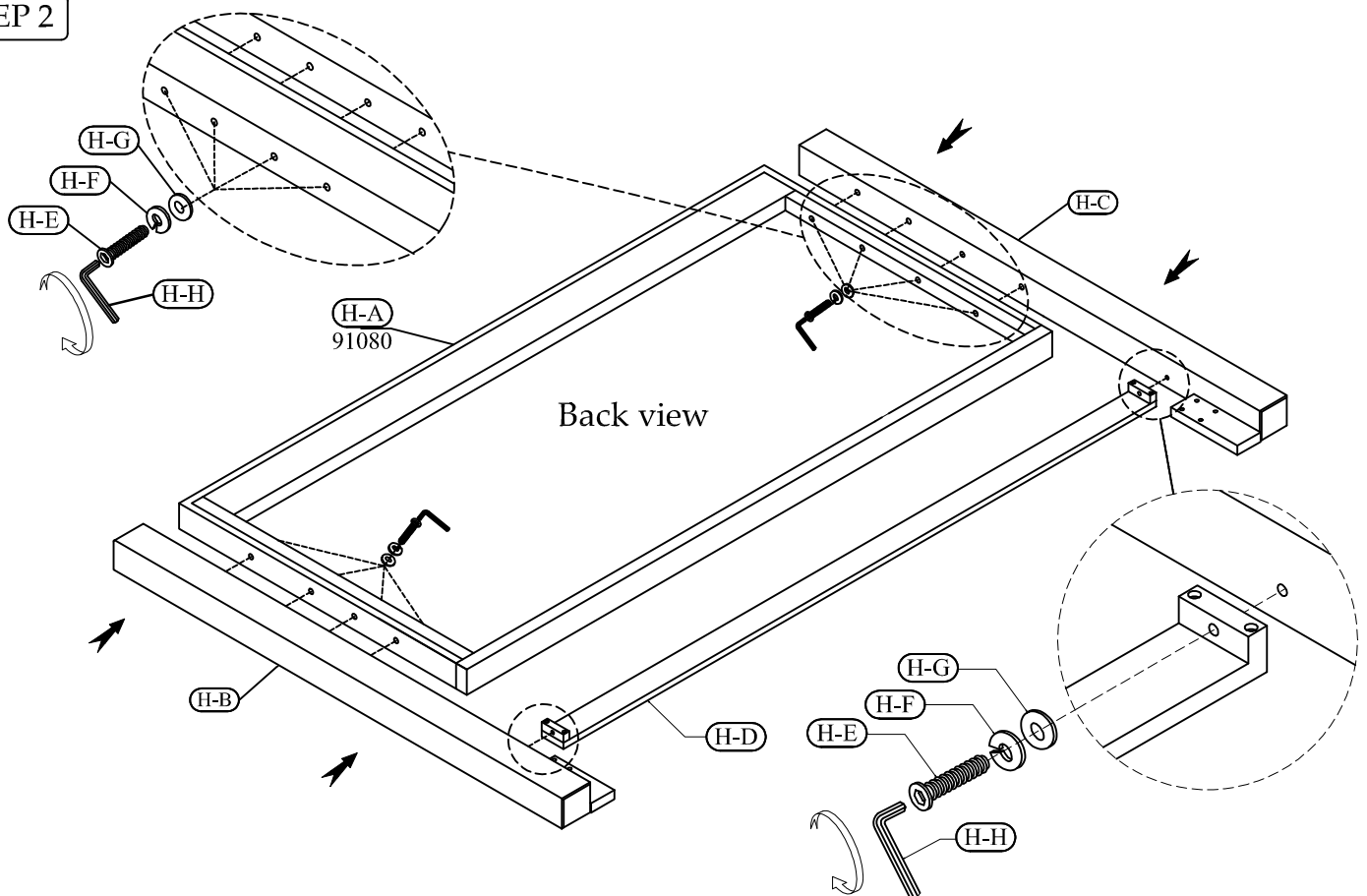


**STEP 1**

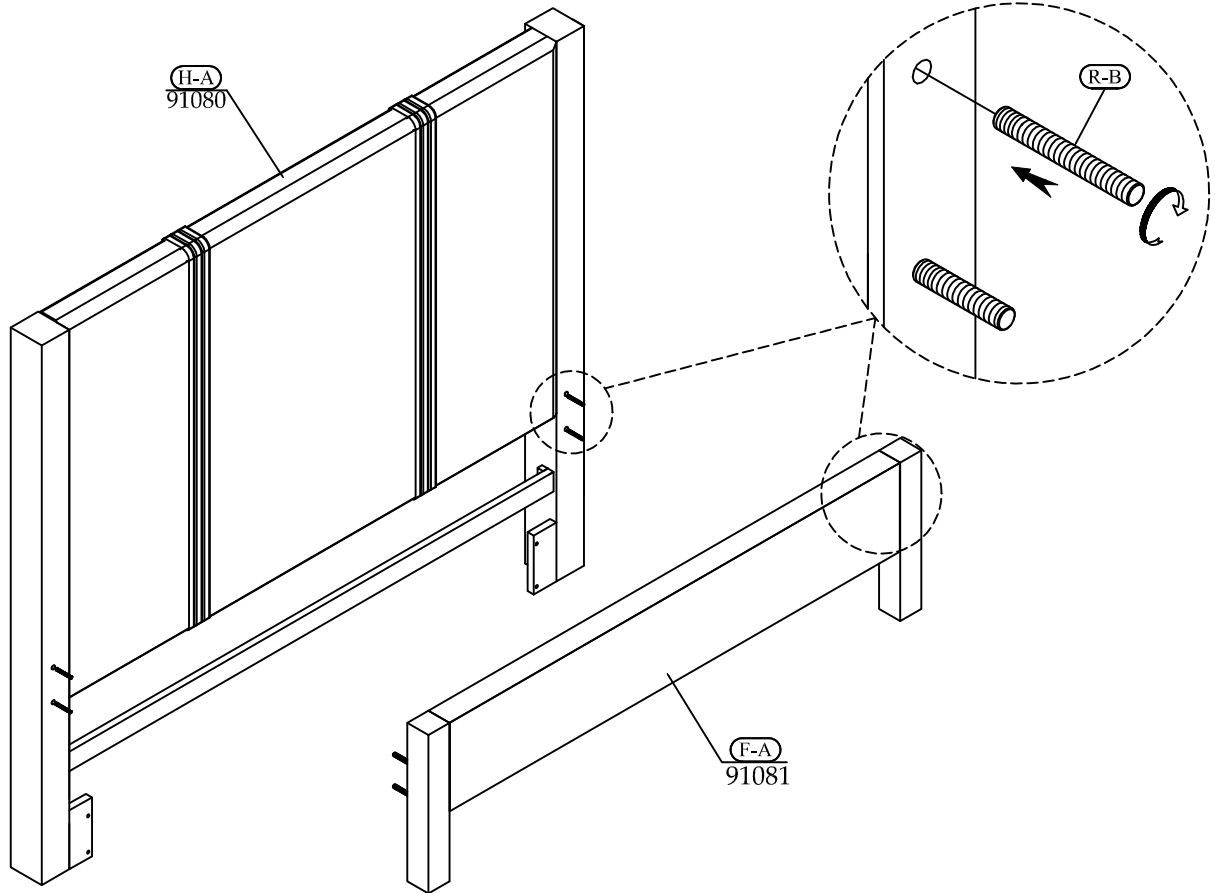
Open the back fabric



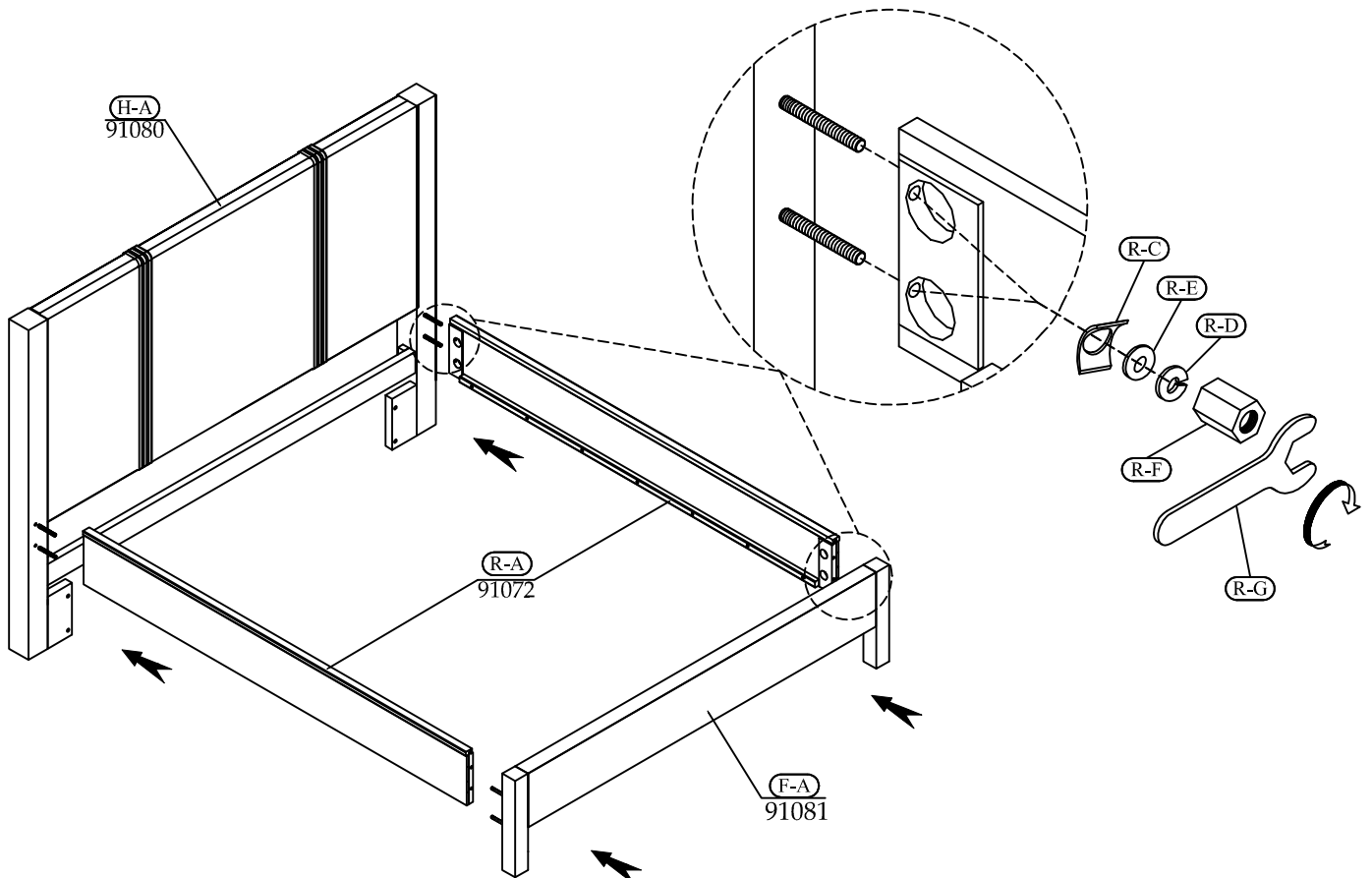
**STEP 2**



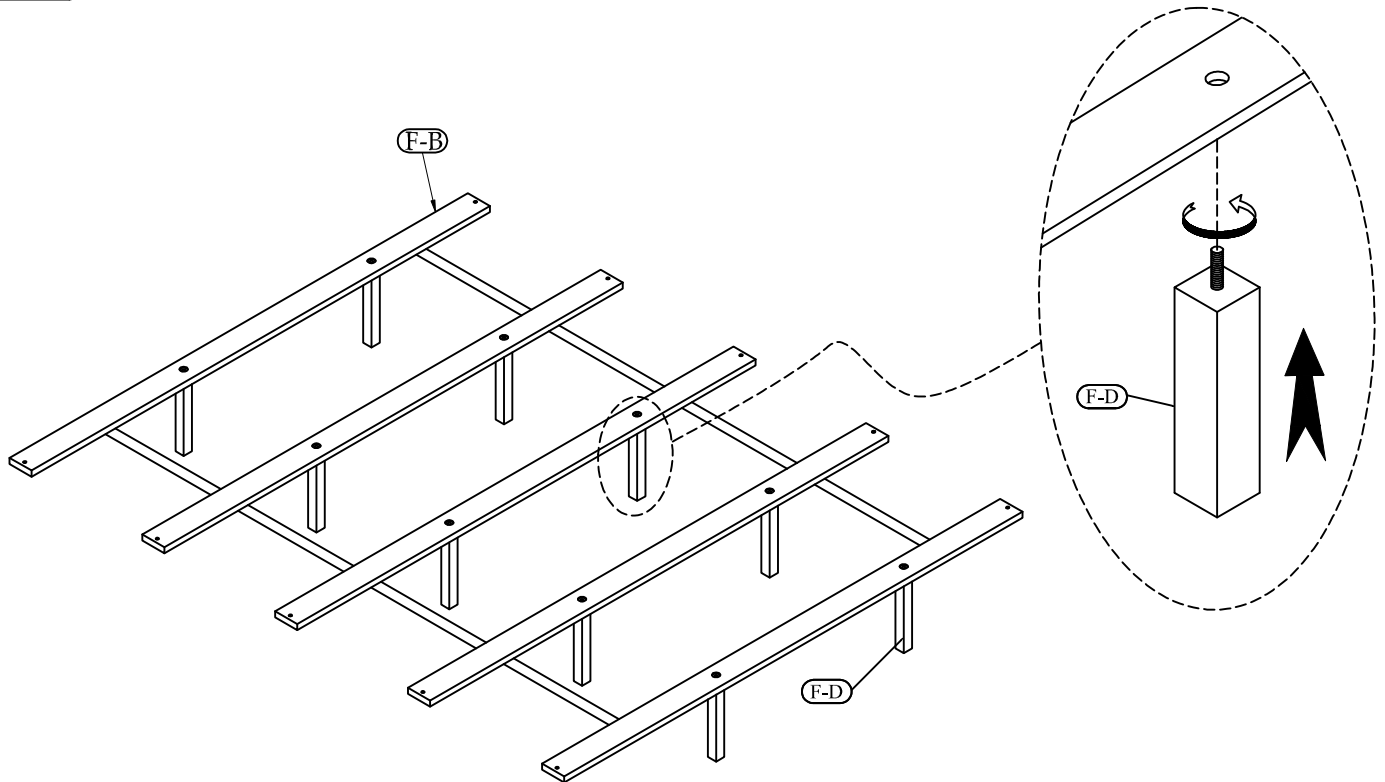
STEP 3



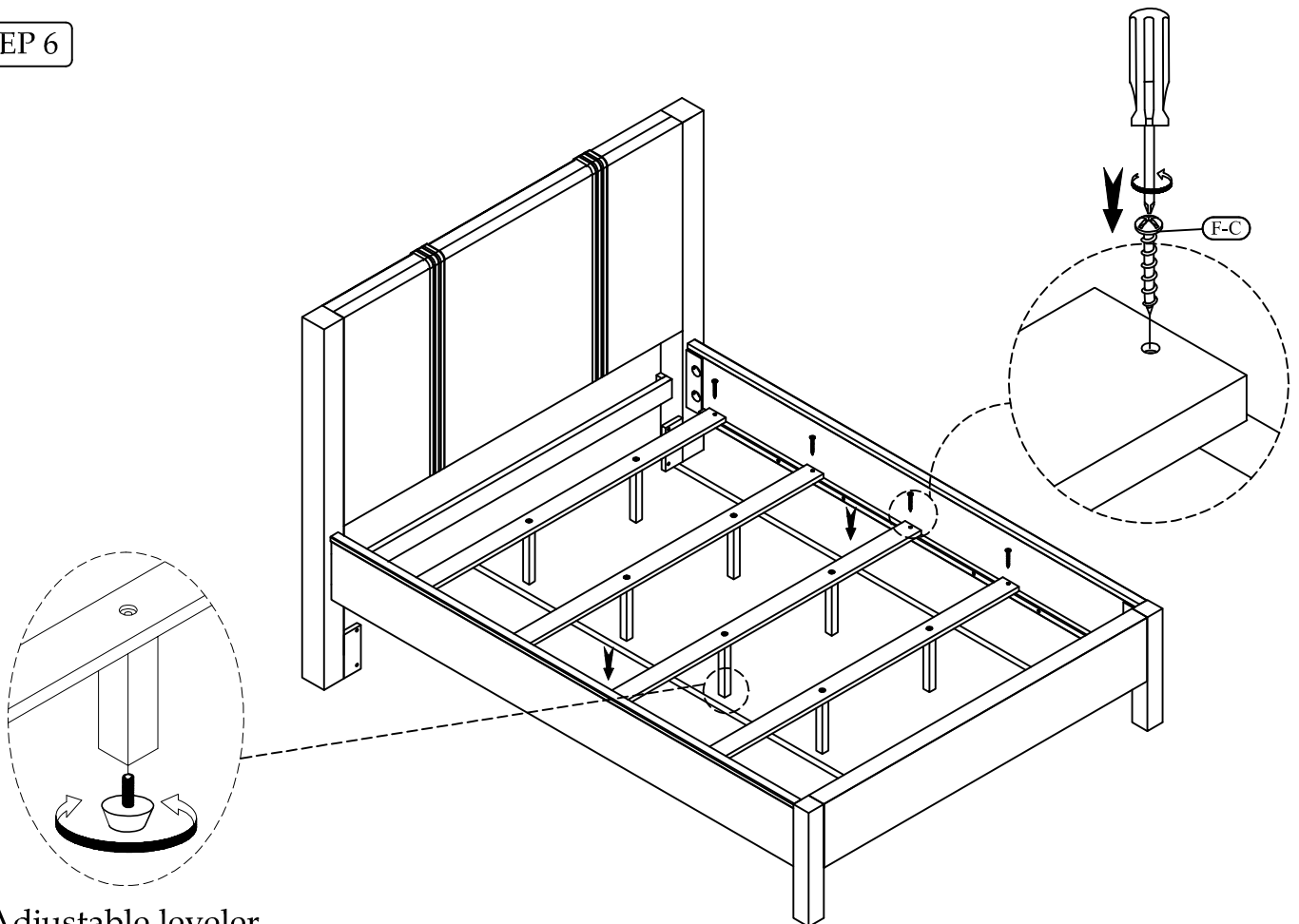
STEP 4



STEP 5



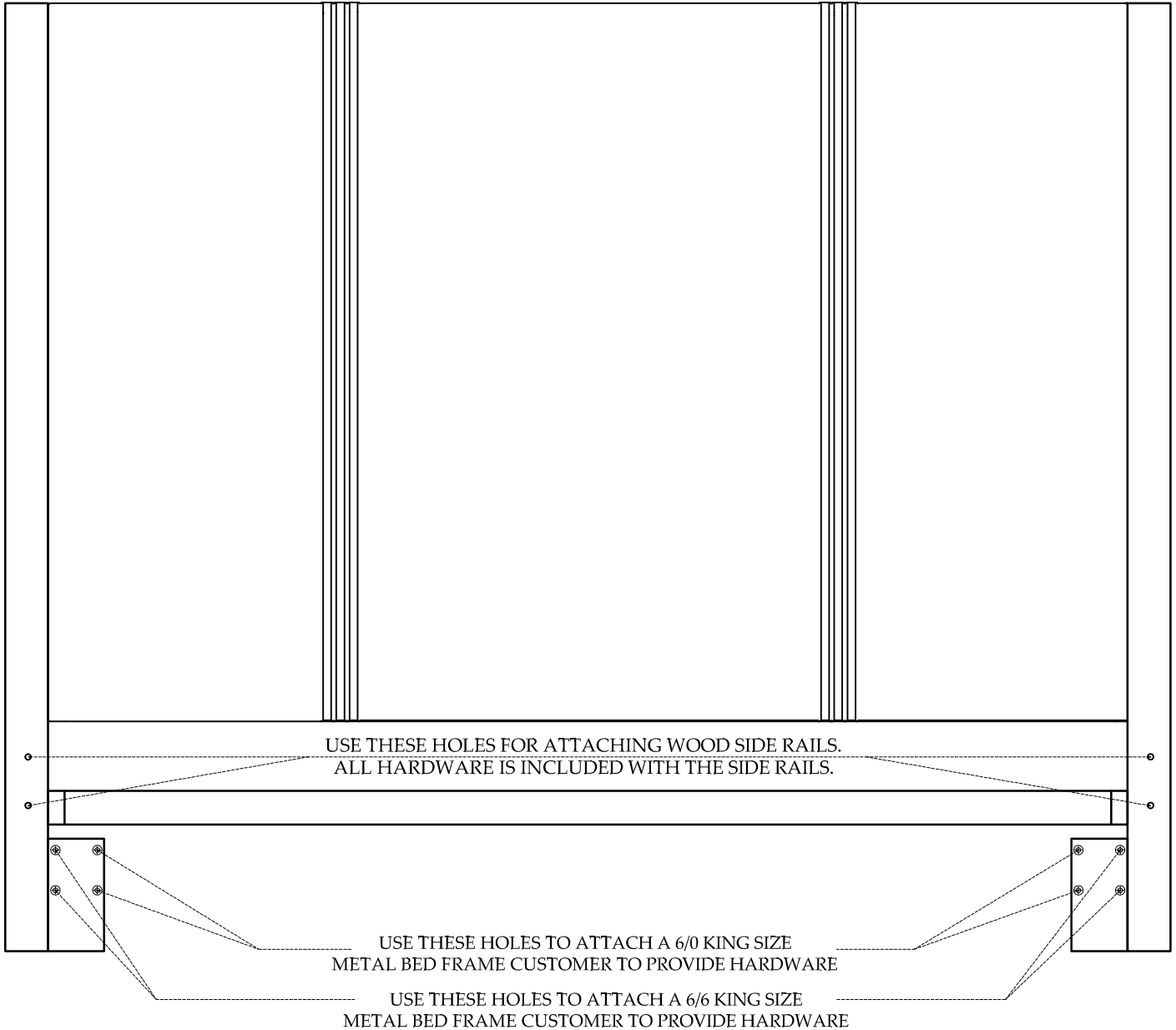
STEP 6



Adjustable leveler.

6/0-6/6 King Bed

91080 - 6/0 - 6/6 Uph Headboard



The headboard may be used alone with a Eastern King or California King size metal bed frame.